

VirTis Genesis 35L Pilot Lyophilizer



(Standard configuration shown)

Key Features

- Compact, freestanding, mobile design.
- Easy scale-up from research to full production.
- Available with a Wizard 2.0, Encore™ or Maestro™ control system.
- Optional hydraulic stoppering system available.
- Narrow and cleanroom configurations available with 8-inch vapor port.

Performance Specifications

	Super ES	Super XL	EL
Lowest Shelf Temperature (50 Hz / 60 Hz)	-47 °C / -50 °C	-57 °C / -60 °C	-67 °C / -70 °C
Shelf Temperature Control Range*	-40 to 65 °C	-40 to 65 °C	-55 to 65 °C
Shelf Pull-Down from 20 °C to -40 °C†	≤ 30 minutes	≤ 45 minutes	≤ 30 minutes
Lowest Condenser Temperature (50 Hz / 60 Hz)	-50 °C / -53 °C	-67 °C / -70 °C	-82 °C / -85 °C
Maximum Condenser Capacity	35 L	35 L	35 L
Condenser Surface Area	750 in ² (4838 cm ²)	750 in ² (4838 cm ²)	750 in ² (4838 cm ²)
Condenser Pull-Down from 20 °C to -45 °C	≤ 25 minutes	≤ 25 minutes	≤ 25 minutes
Maximum Ice Condensing Capacity in 24 hours‡	20 L	20 L	20 L
Maximum Deposition Rate‡	0.83 L/hour	0.83 L/hour	0.83 L/hour
Number of Compressors	1	1	2
Compressor Horsepower	1.5 hp	1.5 hp	1.5 hp, 1 hp
System Refrigerant	MO 89	R245fa, R508B	R508B, R407C
Vacuum Time to 100 Millitorr§	≤ 20 minutes	≤ 20 minutes	≤ 20 minutes
Vacuum Rate of Rise§	≤ 30 mT/hour	≤ 30 mT/hour	≤ 30 mT/hour
Volume-Based Leak Rate§	≤ .0016 mbar-L/sec	≤ .0016 mbar-L/sec	≤ .0016 mbar-L/sec
Lowest System Vacuum§	≤ 30 mT	≤ 15 mT	≤ 15 mT
Temperature Uniformity¶	± 1.0 °C	± 1.0 °C	± 1.0 °C

Note: Performance specifications are based on SP Scientific test data from units operating at an ambient room temperature of approximately 20 °C. SP Scientific recommends an operating range of 15-25 °C (59-77 °F).

Electrical Requirements

Voltage	208 / 240 VAC	400 VAC
Hertz	50 Hz, 60 Hz	50 Hz
Phase	1 Φ	3 Φ
Breaker Amperage	30 A	20 A
Recommended Outlet	NEMA L6-30R	N/A

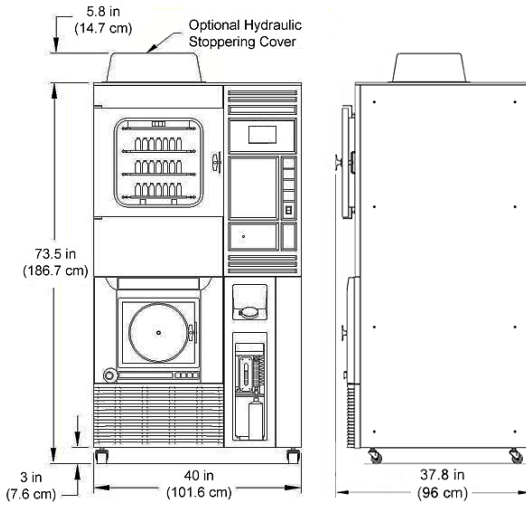
Utility Requirements

	Super ES	Super XL	EL
Compressed Air	80 psig (6.5 bar)	80 psig (6.5 bar)	80 psig (6.5 bar)
Ambient Room Temperature	20 °C	20 °C	20 °C
Approx. Peak Heat Generated (Air-Cooled Units)	8,900 BTU/h	8,900 BTU/h	10,200 BTU/h
Approx. Peak Heat Generated (Water-Cooled Units)	4,000 BTU/h	4,000 BTU/h	4,100 BTU/h
Cooling Water Usage**	1 - 3 gpm (4 - 12 Lpm)	1 - 3 gpm (4 - 12 Lpm)	1 - 3 gpm (4 - 12 Lpm)

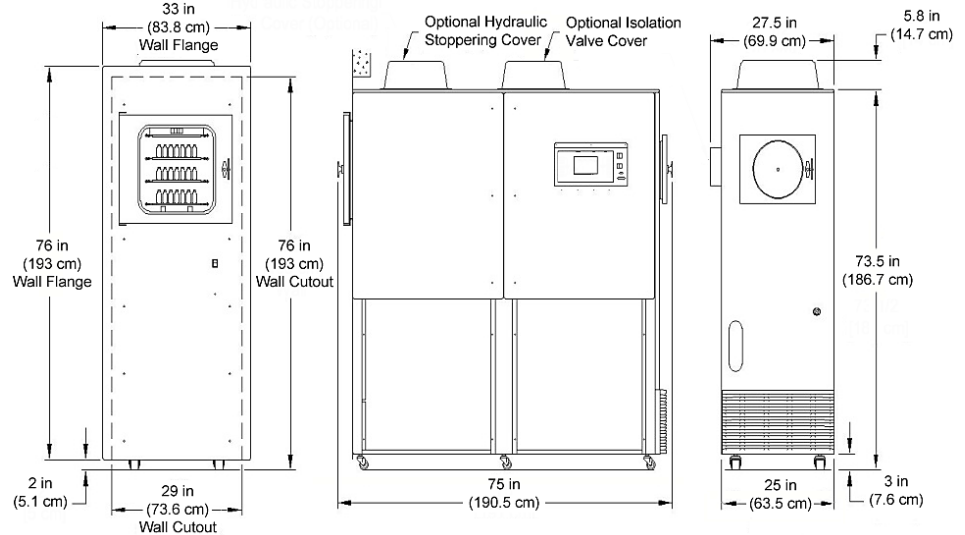
VirTis Genesis 35L

Pilot Lyophilizer

Standard Configuration



Cleanroom Configuration



Dimensional Data

	Standard Configuration	Narrow Configuration	Cleanroom Configuration
Width	40 in (102 cm)	25 in (64 cm)	25 in (64 cm)
Depth	37.8 in (96 cm)	76 in (193 cm)	75 in (191 cm)
Height ^{††}	73.5 in (187 cm)	73.5 in (187 cm)	73.5 in (187 cm)
Maximum Weight	850 lb (386 kg)	850 lb (386 kg)	850 lb (386 kg)
Minimum Clearance on All Sides	10 in (25 cm)	10 in (25 cm)	10 in (25 cm)

Shelf Configuration

	Shelf Area	Shelf Clearance	Shelf Clearance with Optional Shelf Latching	
			1 Shelf Latched	2 Shelves Latched
1 Shelf	1.5 ft ² (1,394 cm ²)	12.9 in (328 mm)	-	-
2 Shelves	3.1 ft ² (2,880 cm ²)	6.2 in (158 mm)	12.5 in (318 mm)	-
3 Shelves	4.6 ft ² (4,274 cm ²)	4 in (102 mm)	6.1 in (155 mm)	12.1 in (307 mm)
4 Shelves	6.1 ft ² (5,667 cm ²)	2.9 in (74 mm)	3.9 in (99 mm)	5.9 in (150 mm)
5 Shelves ^{††}	7.7 ft ² (7,154 cm ²)	2.3 in (58 mm)	2.8 in (72 mm)	3.8 in (97 mm)
6 Shelves	9.2 ft ² (8,547 cm ²)	1.8 in (46 mm)	-	-

Shelf Size (W x D): 10.8 x 20.5 in (274.3 x 520.7 mm)

Additional Information

Construction	316L Stainless Steel Shelves, Product Chamber and Condenser Chamber	Defrost Type	Hot Gas
Stoppering	Top-Down Hydraulic	Refrigerant Type	CFC-Free
		Vapor Port ^{§§}	4 inches (10.2 cm)

* Shelf temperature controlled to within ± 0.5 °C of the setpoint within the Shelf Temperature Control Range. Lyophilizers equipped with Wizard 2.0 microprocessor-based controllers shall be capable of controlling at shelf temperatures within ± 1.0 °C of the setpoint within the Shelf Temperature Control Range.

[†] Shelf Pull-Down times are based on units with one (1) to three (3) shelves. The increased mass of stainless steel and additional heat transfer fluid required for four (4) or more shelves will increase the pull-down time. Use the following multipliers when determining the pull-down time specification for the following shelf configurations.

- 4-shelf units, standard pull-down time x 1.33
- 5-shelf units, standard pull-down time x 1.67
- 6-shelf units, standard pull-down time x 2.0

[‡] The specified Maximum Ice Condensing Capacity in 24 Hours and Maximum Deposition Rate are based on the process of freeze-drying water as aggressively as possible. The freeze dryer's ability to collect ice at an hourly rate or over a specified period will always be application dependent.

[§] Vacuum specifications are based on SP Scientific test data from similar units equipped with Alcatel 2010SD two-stage rotary vane vacuum pump. Units equipped with other vacuum pumps may yield different results (e.g., a Varian TriScroll 300 dry pump will yield a Lowest System Vacuum of ≤ 50 mT).

[¶] Shelf temperature deviations shall not exceed the specification relative to the mean of the highest and lowest temperature readings.

^v VirTis units are highly customizable and SP Scientific can configure any unit to conform to the service requirements of a wide range of international voltage and phase configurations. Contact SP Scientific for more information.

^{**} Cooling water temperatures should not exceed 24 °C.

^{††} The stoppering option and/or isolation valve option adds 5.8 inches (14.7 cm) to overall height.

^{‡‡} Units with the stoppering option are only available with up to five shelves.

^{§§} Standard configuration units have a 4-inch (10.2 cm) vapor port. Narrow and cleanroom configuration units have an 8-inch (20.3 cm) vapor port.